

Features:

- Traditional halogen bulb appearance.
- Equals to 50W halogen bulb.
- Dim to Warm is an embedded Lumenpulse Technology that reduces a luminaire's colour temperature when dimmed, allowing for smooth variations in warm white light. The dimming process is the same as halogen bulb performs.
- HALELED optical design, low UGR value, CRI95
- Easily assemble, and replace halogen bulbs directly.
- Lifespan 25000 hrs, 3 years warranty.
- CE& RoHS
- High energy efficiency



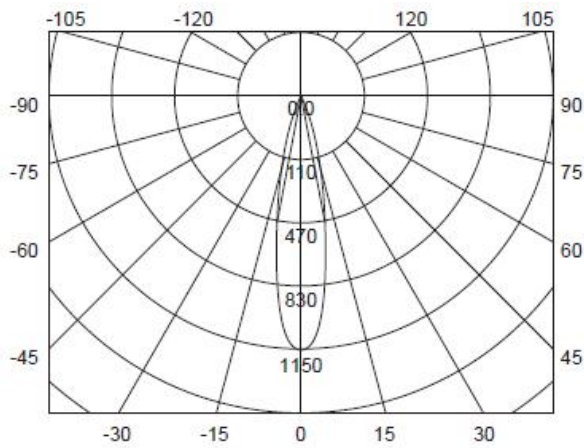
Applications

- Home appliance and other residential decorations.
- Commercial lighting like hotels, restaurants, bars, cafes, etc.

Product overview

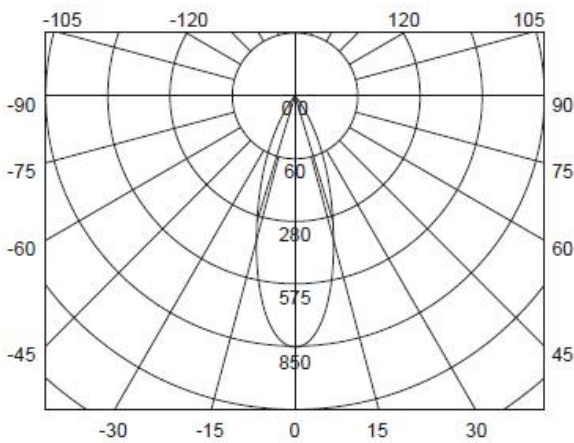
Part No.:WGU10 KC50T6	Wattage: 6W	Dimmable: Dim to Warm
Codo No: 22787 / 22749		
CCT/Lumen output: 2700K-2100K/345lm		Energy efficiency class: G
PF: 0.8	CRI(Ra): 90	Weight: 46g
Voltage: AC200-240V	Current: 30mA	Frequency: 50/60Hz
Beam Angle: 36° / 24°	Socket: GU10	Working Temperature :-20°C ~ - 50°C
Inner Box Dimensions	Outer Carton Dimensions	Qty: 100pcs/carton
(LxWxH):55 x 55 x 65mm	(LxWxH):580 x 285 x 185mm	

Beam Angle 24° cd&lx



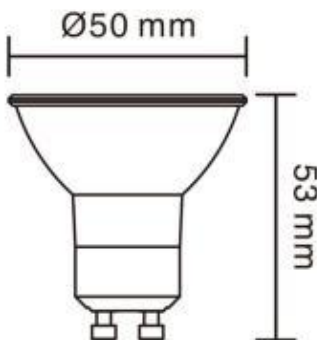
Height (m)	Beam Diameter (cm)	Center Lux (lx)	Edge Lux (lx)
0.5	28.67	2798	3762
1.0	57.35	832.7	1165.31
1.5	86.02	472.11	660.34
2.0	114.7	222.12	412.73
3.0	172.05	101.22	206.21

Beam Angle 36° cd&lx



Height (m)	Beam Diameter (cm)	Center Lux (lx)	Edge Lux (lx)
0.5	28.67	2576	3463
1.0	57.35	556.7	858.32
1.5	86.02	188.4	372.3
2.0	114.7	72.56	142.63
3.0	172.05	33.72	63.14

Technical Drawings (mm)



Packaging diagram



Inner Box



Middle Box



Outer Carton

Outer Carton Dimensions: (LxWxH): 580*285*185mm, Qty: 100PCS

Cautions

- Don't touch the lamp when it is lighted
- Don't use it in enclosed luminaire
- Power off before replacement
- Do not in violation of any fire regulations when using
- Consult professional electricians for technical support
- If the cable is damaged, it must be replaced by the manufacturer and its service agent, or qualified person in order to avoid hazards.

